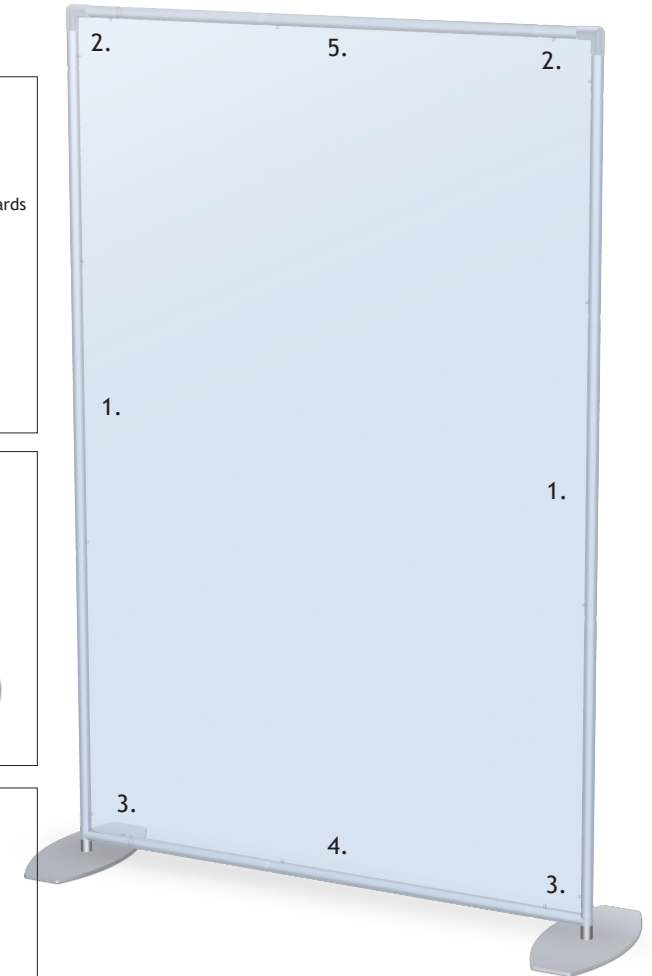
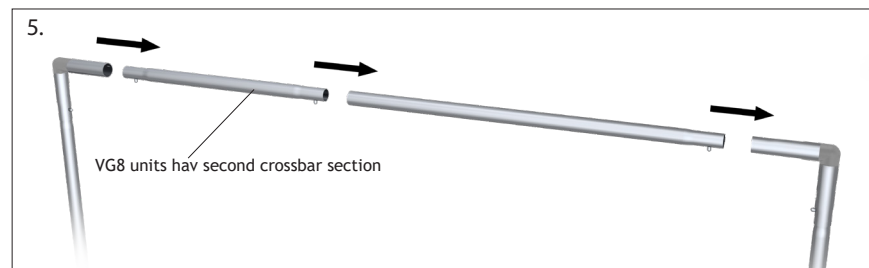
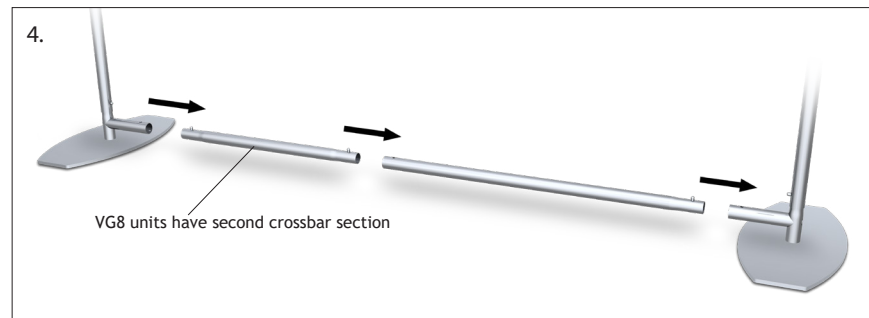
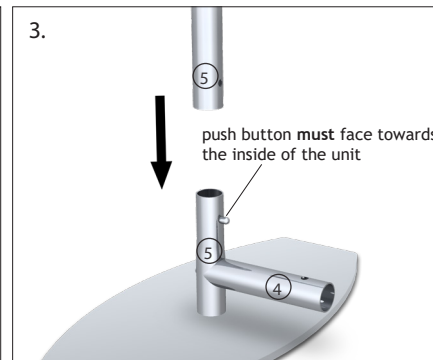
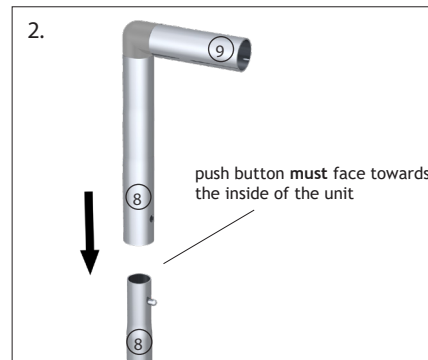
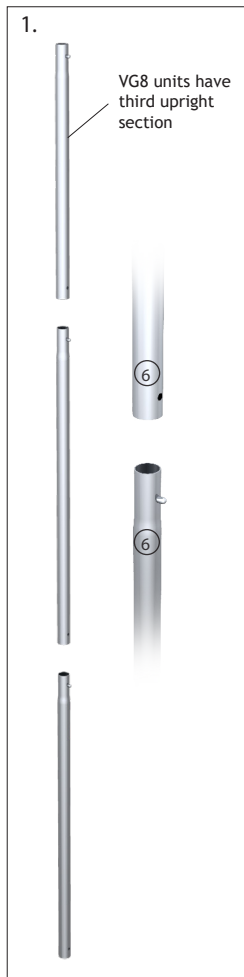


Visual Graphic Stand™ - VG Series

Each tube end has a number sticker for connecting sections together, 1 to 1, 2 to 2, 3 to 3, etc.

1. Connect upright sections together. Shortest upright section should go on top.
2. Slide corner bracket over upright until push button clicks into place.
3. Slide upright over base upright until push button clicks into place.
4. Press bottom crossbar sections in between uprights until push buttons click into place. Shortest crossbar section with two push buttons should be placed on the left (where applicable).
5. Press top crossbar sections in between uprights until push buttons click into place. Shortest crossbar section with two push buttons should be placed on the left (where applicable)
6. Slide pillowcase graphic over frame and zipper at bottom to complete unit assembly (not shown).

NOTE: Model shown below may differ from your model. Although the number of upright sections may change, assembly instructions remain the same.



VG64 shown